

THE FLINDERS OAKWOOD LUMINAIRE

A design reminiscent of the Victorian gas light era, this beautiful luminaire adds style and elegance wherever it's used. With a housing constructed from die cast Aluminium and a one-piece 3mm toughened acrylic outer lens, the Flinders Oakwood Luminaire has achieved durability without the loss of aesthetic appeal.

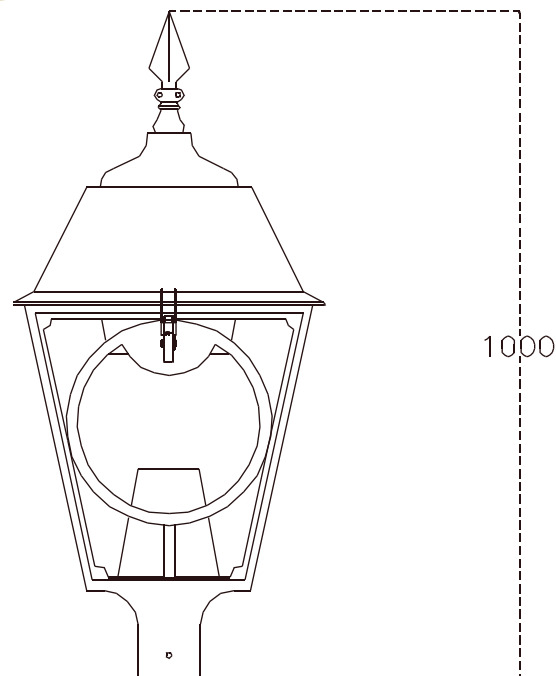
- Manufactured To AS 3771
- Photometrics Compliant To AS 1158
- IP 65 Ingress Protection
- Complete With PE Cell
- Easy Release Lid With Stainless Steel Latch
- Toughened Acrylic Lens Case
- Heavy Duty Cast Aluminium Construction
- Pre-wired For Safe & Easy Installation
- Available In A Variety Of Powdercoat Painted Finish

Applications:

Residential & Commercial Developments, Parks, & Amenity Areas, Minor Road Street Lighting.



Dimensions



1000



Artcraft
Street Lighting &
Furniture Division

Adelaide-Brisbane-
Coffs Harbour-
Melbourne-Newcastle-
Sydney-Townsville



1300 139 403



1300 797 730