

THE SEAFORD VICTORIAN LUMINAIRE

A simple and elegant design, the Seaford Victorian luminaire is at home on the beach front, in parklands, or in the city. The Seaford Victorian may be side or top mounted and is available in a range of powdercoat painted colours. Artcraft also offers an economical and stylish range of decorative poles for use with our luminaires.

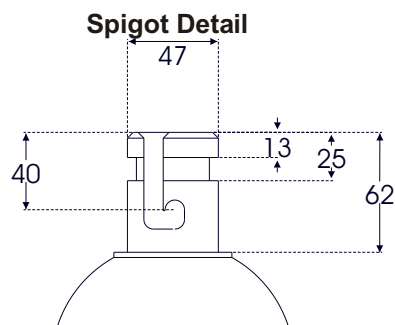
- Manufactured To AS 3771
- Photometrics Compliant To AS 1158
- IP 65 Ingress Protection
- Complete With PE Cell
- Strengthened Shade
- Heavy Duty Cast Aluminium Spigot
- Pre-wired For Safe & Easy Installation
- Top Entry Spigot Conforms To AS 1158.6
- Available In A Variety Of Powdercoat Painted Finish

Applications:

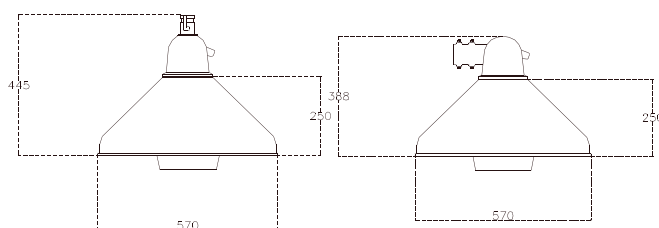
Residential & Commercial Developments, Parks, & Amenity Areas, Minor Road Street Lighting.

Top Entry Option

The top entry Seaford luminaire is fitted with a "J" groove spigot conforming to Australian Standard AS1158.6



Dimensions

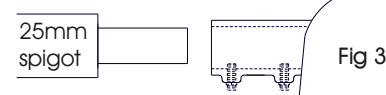
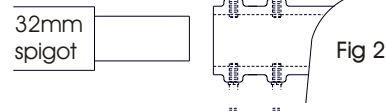


Side Entry Option

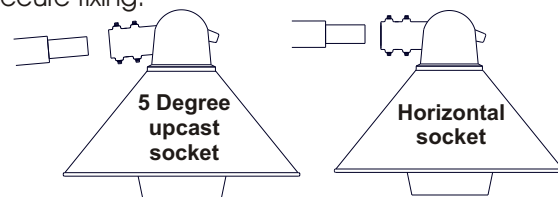
The side entry socket (below) is available in two sizes; 32 or 25 nominal bore (refer fig 2 & 3). The side entry sockets are produced using cast



Fig 1
Side Entry
Seaford Conical



Side entry Seaford sockets can also be provided without a tilt (horizontal as shown on below right) or with a 5 degree up cast (below left) for outreach arms that do not terminate on the horizontal. All side entry Seafords come complete with lock nuts to be fitted over the socket grub screw for extra secure fixing.



Artcraft
Street Lighting &
Furniture Division

Adelaide-Brisbane-
Coffs Harbour-
Melbourne-Newcastle-
Sydney-Townsville



1 300 1 39 403



1 300 797 730